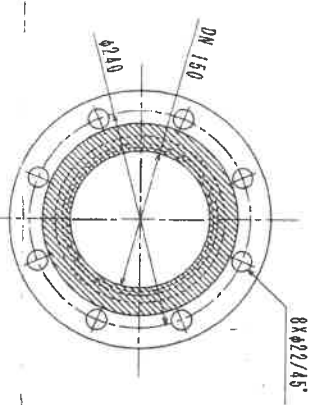
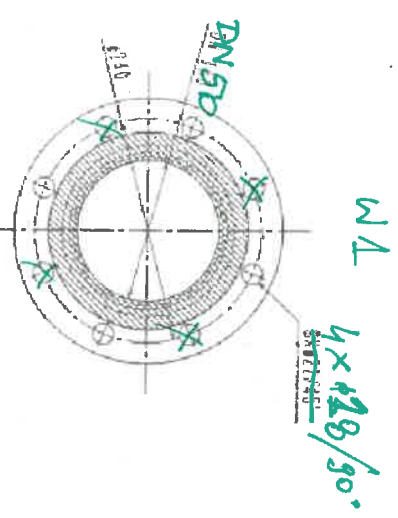
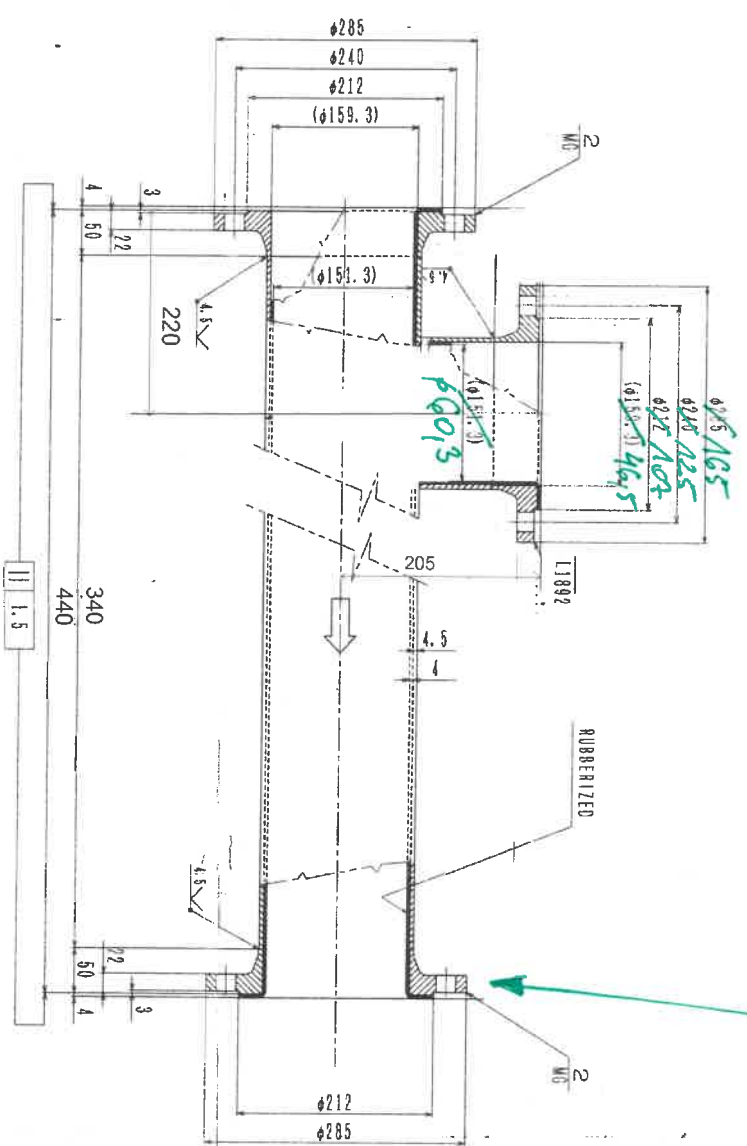


W1

Kolmen lining



- NOTES:
1. TO BE WELDED AIRTIGHT
 2. THE INSIDE WALL AT WELDED JOINT TO BE GROUND

WELDS : CO1

4.5 ✓

Z-50.0x2+100.0 14

CAREER		DATE	BY	REASON
WELD	ALTERATION	19 . . .		
ORDER NO.	CUSTOMER	NAME OF MACHINE	ITEM QTY.	DATE
06-5003	POLANIEC		1A	1997-02-19



PRELIMINARY

NO.	REV.	DATE	BY	REASON
1				
2				
3				
4				
5				

FILE NO. P28-018

ORDER NO. 06-5003

TITLE: PIPE DN 150-L2000 MG

DWG. NO. 2C-30928

KUBOTA Corporation

1 2 3 4 5 6 7 8 9